

# MMP

MOLTEN METAL PRODUCTS

## MORGAN MKV MINIATURE GAS LIFT OUT FURNACE

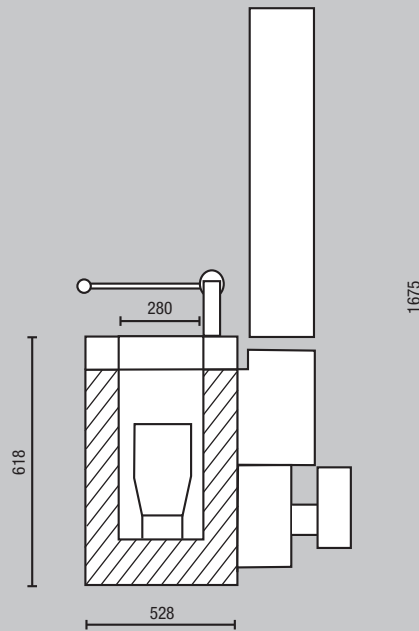
### MMP Ltd

Unit 7  
Crucible Business Park  
Woodbury Lane  
Norton  
Worcester WR5 2BA

t: +44 (0) 1905 728200

f: +44 (0) 1905 767877

e: sales@moltenmetalproducts.com



MINI 01/12 MMP reserve the right to change specs. at any time and are not responsible for typographical errors

Morgan's Miniature  
Crucible Furnace



### SPECIFICATION

Shipping. Approx.

Net weight 250kg

Gross weight 320kg

Volume 1.8M<sup>3</sup>

### TYPICAL PERFORMANCE

METAL	ALUMINIUM	BRASS	BRONZE	COPPER
Temperature	To 720c	To 1000c	To 1150c	To 1200c
Capacity Kg	4.5	15	15	15
Crucible	AX12	AX12	AX12	AX12
Hot Start (Mins)	11	18	20	30
Consumption kWh. Hot Start	13	22	25	37
Gas Requirement M3/Hour	7	7	7	7

### FUEL TYPES & SPECIFICATIONS

The furnace is available for the following gaseous fuels:

**Natural Gas:** 9000 kcals/M<sup>3</sup>

**Propane:** 22000 kcals/M<sup>3</sup>

**Butane:** 28000 kcals/M<sup>3</sup>

**Dynamic Pressure:** 20 - 35mbar

**Note:** Pressures higher than 35mbar will require additional regulation

**Standard Electrical Supply:** 230v 1ph. 50hz.

## MINIATURE GAS LIFT OUT FURNACE

### FURNACE DESCRIPTION

The Morgan Miniature Lift Out Furnace can melt a wide range of metals and alloys up to 1250°C using AX type crucibles inserted and taken out with tongs.

The steel furnace casing is lined with LTM high alumina brick. The swing aside cover of the furnace seals the melting chamber and exhaust products leave by a side channel and through the exhaust extension.

### MODE OF OPERATION

The crucible is drawn by using 'T' shaped pouring tongs that can be used to dispense to the mould or cavity.

### BURNER EQUIPMENT

The rugged gas burner is of the packaged, integral fan type conforming to the highest safety standards.

All burners are automatic, start stop, with double block safety shut off gas valves, electrical ignition and UV flame failure detection. All complying with the normal Euro standard EN746

### INSTALLATION

The furnace is supplied complete, is floor-standing and has a stand-alone wall mounting control panel and interconnecting cable harness. It requires only to be connected to gas and electrical supplies.